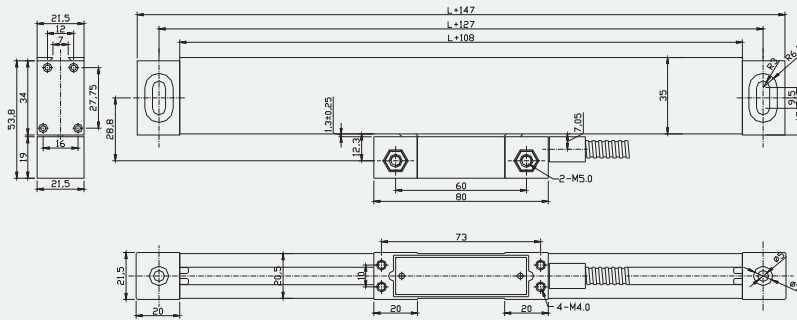




Abmessungen K+C Glasmaßstäbe Dimensions K+C Glass Measuring Scales

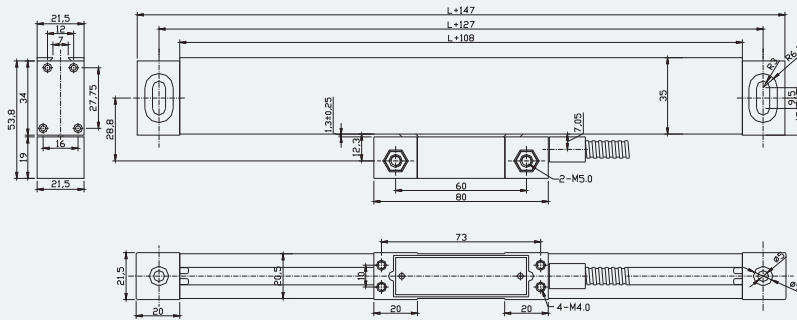
>> M5 (50 - 800mm)

K+C Glasmaßstäbe/Glass Measuring Scales M5 Series 50 - 800mm
Measurement Travel



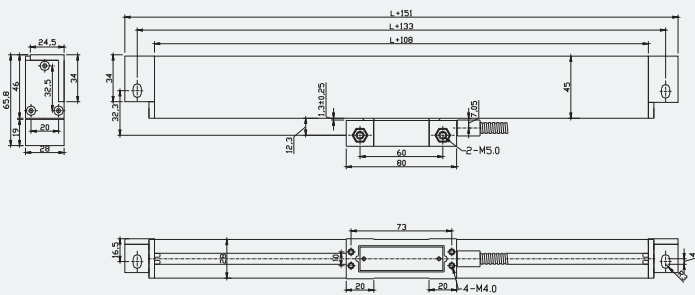
>> M5 (850 - 1200mm)

K+C Glasmaßstäbe/Glass Measuring Scales M5 Series 850 - 1200mm
Measurement Travel



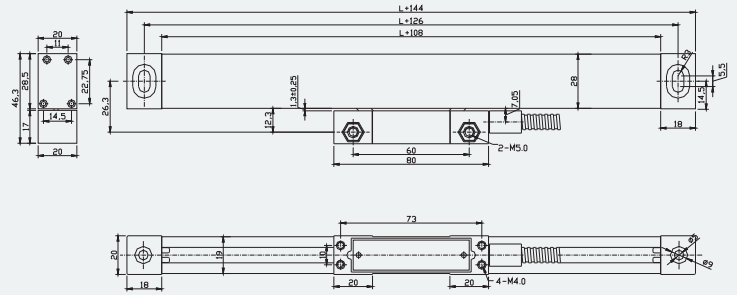
>> X5 (1300 - 3000mm)

K+C Glasmaßstäbe/Glass Measuring Scales X5 Series 1300 - 3000mm
Measurement Travel



>> S5 (50 - 500mm)

K+C Glasmaßstäbe/Glass Measuring Scales S5 Series 50 - 500mm
Measurement Travel



Kontakt und Support:
K+C Maschinen & Komponenten e.K.
Tel. (0049) 02307 552313 // Fax. (0049) 02307 552312
e-mail: info@kuc-maschinen.de // Internet www.kuc-maschinen.de

